

# Cryostore™ Multi-Chamber Bag

The OriGen Cryostore™ Multi-Chamber Bag is indicated for freezing blood components at any temperature. It provides you with the traceability, durability, and safety that you need.

## Traceability

Each chamber of the bag is printed with unique numbers for easy identification. The numbers on the chambers match those on the tube set making traceability after the aliquot process assured.

## Durability

The spike port and film used in every Cryostore™ Multi-Chamber Bag are made from a rugged EVA. The proof of durability is in our customer's success.

## Safety

Tube sets have luer-actuated needle-free injection ports. These swabable ports help maintain sterility of the sample through numerous actuations, and help eliminate the possibility of needle sticks during processing.

## Ease of Use

The standard tube set has a syringe included for removal of air prior to filling the bag with any fluid. This will help expedite the debubbling process. Each multi chamber bag has tubing compatible for sterile welding, needle free access and a male and a female luer connection.

Multiple chambers are filled from a single location and the channel located at the bottom of the bag allows for easy heat seals between each chamber with a standard tube sealer. This separation of individual chambers allows multiple post thaw applications without compromising the integrity of the rest of the cellular product.

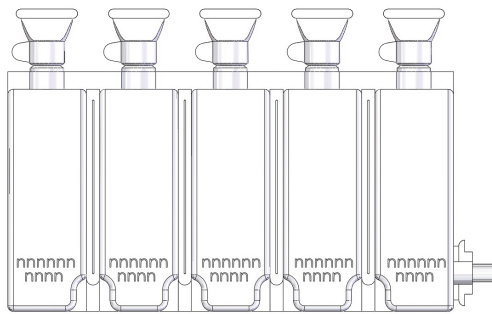


## Technical Information

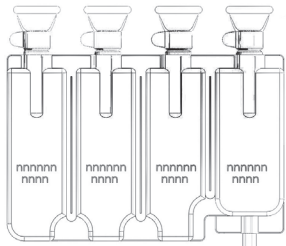
Catalog number	Width (cm)	Height (cm)	Depth (cm)	Freeze/Fill Volume per Chamber	Freeze Volume	Fill volume	Max Number Chamber
CS30M9	10.8	5.5	0.9	6mL	Up to 30mL	Up to 30mL	5
CS24M9	8.4	5.5	0.9	6mL	Up to 24mL	Up to 24mL	4

# Cryostore™

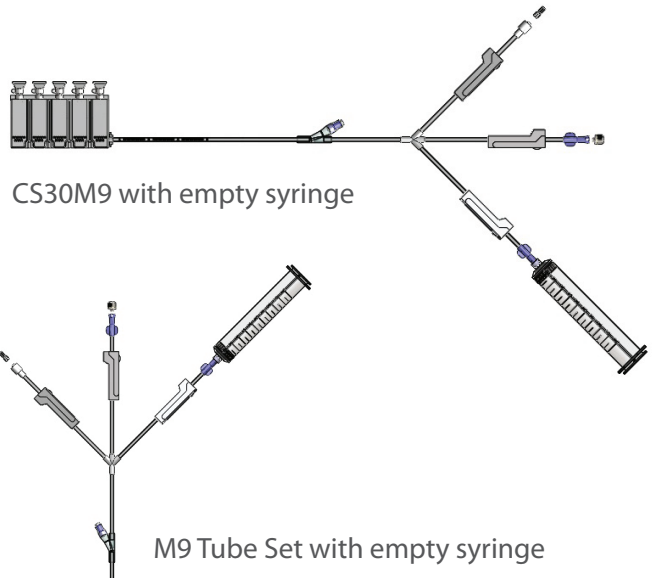
## Multi-Chamber Bag



CS30



CS24



CS30M9 with empty syringe

M9 Tube Set with empty syringe

### Tubing Configurations

Suffix	Tube Set Description	Stock or Custom
M9	One male luer with cap, two female luers with caps, syringe and a needle-free injection port	Stock

### Packing Configurations

Catalog Number	Bags per Tyvek Pouch	Pouches per Case
CS30M9	1	12
CS24M9	1	12



The OriGen Cryostore™ Multi-Chamber Bag is indicated for freezing blood components at any temperature. Carefully read Instructions for Use before using this product. Sterile, single use only. Cryostore™ bags are made in the USA.

ML21.03.R00; 2015-9

Distributed by Abacus dx

1800 ABACUS (AUS) 0800 222 170 (NZ) | info@abacusdx.com | www.abacusdx.com

